

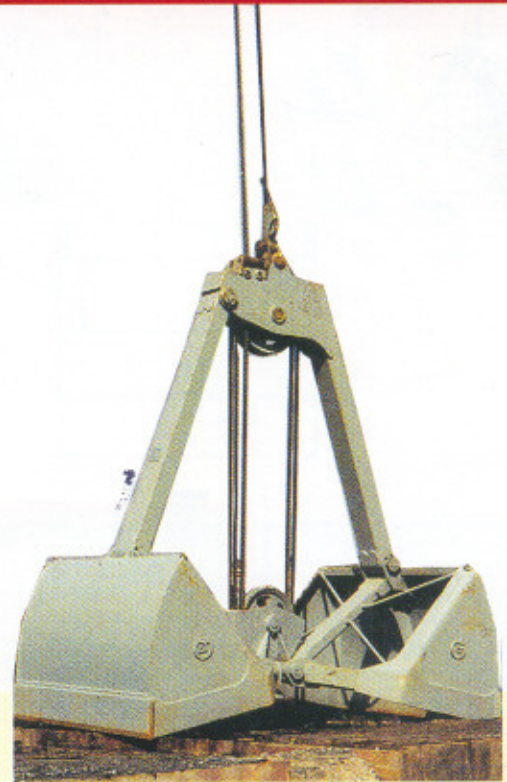


GRAB BUCKETS





▲ 1 m³ capacity 4 rope type grab bucket, supplied to BMC, Andheri



▲ 1.5 m³ capacity self dumping grab bucket supplied for sand handling for sand excavation in Mumbra

- 'ELMECH' make Grab Buckets are manufactured from 0.5m³ Capacity to 10.0m³ capacity suitable for handling coal, lime stone, clinker, super phosphate, slag granules for bulk density of material generally upto 3 Tonnes per cubic meter.
- 'ELMECH' make Grab Buckets are manufactured in single rope hook-on-type design or four rope type for using EOT crane.
- 'ELMECH' Single rope self dumping hook-on type Grab Bucket can be hooked directly to EOT, Mobile, Wharf, Jib Cranes etc.
- These Grab Buckets are generally used for handling light weight granular material like grains, fertilizers, foundry sand, sulphur etc.
- 'ELMECH' make four rope type Grab Buckets are designed for medium to heavy duty operations and are generally used for handling iron-ore, bauxite, coal, lime stone, clinker, granular materials, foundry, sand, fertilisers, sulphur, iron scrap, stone concrete debris etc.
- These Grab Buckets can be assembled to open either in perpendicular or in horizontal direction to the line of crane girders.
- Characteristics of all 'ELMECH' Grab Buckets is low empty weight with high payload, high output, low height, big scoop area for stability and good clean up. All parts are designed for fast and easy interchangeability.



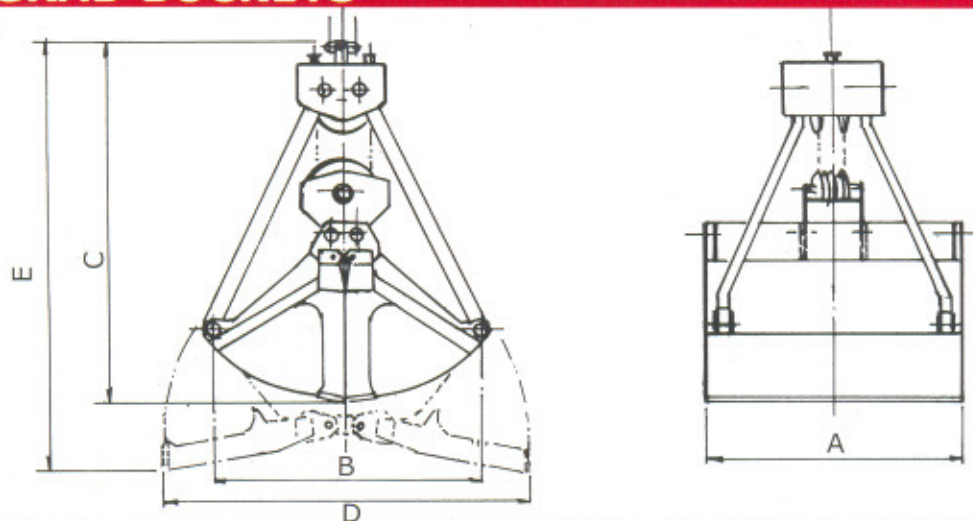
▲ 4 rope type - 3 m³ capacity grab bucket supplied with grabbing crane to Usha Ispat Ltd at Redi



▲ 2 Rope type - 1.0 m³ capacity for SAIL, Durgapur through L&T - ECC, Madras & Mukund Ltd at Hospet

THE 'ELMECH' GRAB BUCKETS OFFER THE FOLLOWING SPECIAL FEATURES :

- Proven Design.
- Welded construction-fabricated from IS:2062 quality steel.
- Sturdy construction for heavy duty applications.
- Large size cast steel standardised wire rope sheaves running on ball bearings.
- All load bearing welded parts stress-relieved.
- All articulation joints and pulleys individually lubricated.
- The knife edge is hard faced up to HRC 45. For special application hardness can be increased to HRC 60 for added abrasion resistance.
- Hard faced teeth can be provided as per application.
- Proper guarding, guiding and welding arrangement provided for securing wire ropes of cranes.
- Nonferrous metal bushes at all articulation joints for special grabs.
- Hardened, tempered and ground, pins and bushes or hard chrome plated pins can be provided for special applications.
- Special paints like epoxy or chlorinated rubber for corrosive atmosphere can be applied.
- Ready availability of spare parts.
- Grab Buckets for under water handling are supplied with stainless steel bushes & pins.
- Can be offered for handling material between temperature range of (-)35° C to (+) 750° C.



Capacity Cubic meters	Type	Width A	Span Closed B	Height Closed C	Span Open D	Height Open E	Weight (Aprox.) KG
1.5	EL-4R15	1300	2100	2400	2400	2900	1875
1.8	EL-4R18	1300	2250	2400	2600	2900	2100
2.0	EL-4R20	1500	2500	2750	2850	3100	2400
2.5	EL-4R25	1700	2700	3100	3100	3500	3200
3.0	EL-4R30	2000	2850	3200	3300	3750	3800
3.5	EL-4R35	2200	2850	3200	3300	3750	4100
4.0	EL-4R40	2200	3200	3500	3600	4000	5000
5.0	EL-4R50	2400	3400	4000	4000	4700	7000
6.0	EL-4R60	2400	3650	4600	4500	5200	9500

Due to continuous development all dimensions are subject to change without notice.

All Dimensions are in mm.



EDDYCRANES

ENGINEERS PVT. LTD.

Office :

3/23, Tardeo Airconditioned Market,
Tardeo Road, Mumbai - 400 034.
Tel. : +91-22-494 5103 / 496 1798 / 498 4210
Fax : +91-22-495 1886
E_mail : eddycran@bom3.vsnl.net.in

Works :

66/8, Block D2, MIDC Industrial Area,
Chinchwad, Pune - 411 019.
Tel. : +91-212-770521/779650
Fax : +91-212-774816

OUR OTHER PRODUCTS

Electric Hoists.

SGEOT / UNDERSLUNG GEOT Cranes.

Steel Mill / Grabbing Duty Cranes.

Double Girder EOT Cranes.

HOT Single Girder Cranes.

Electrical Winches.

Flame Proof Cranes & Hoists.

Jib Cranes.

Consultancy for Material Handling.